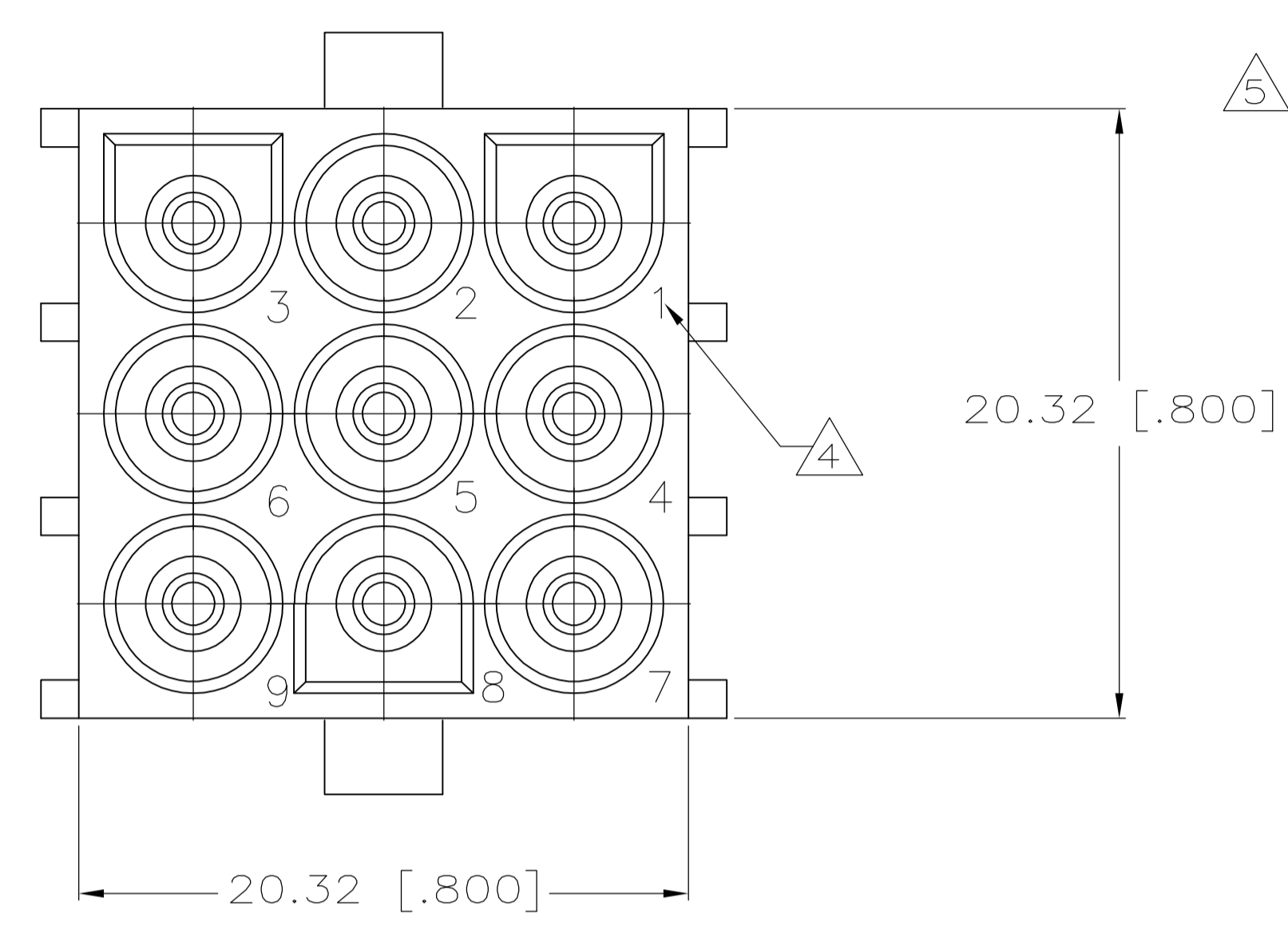
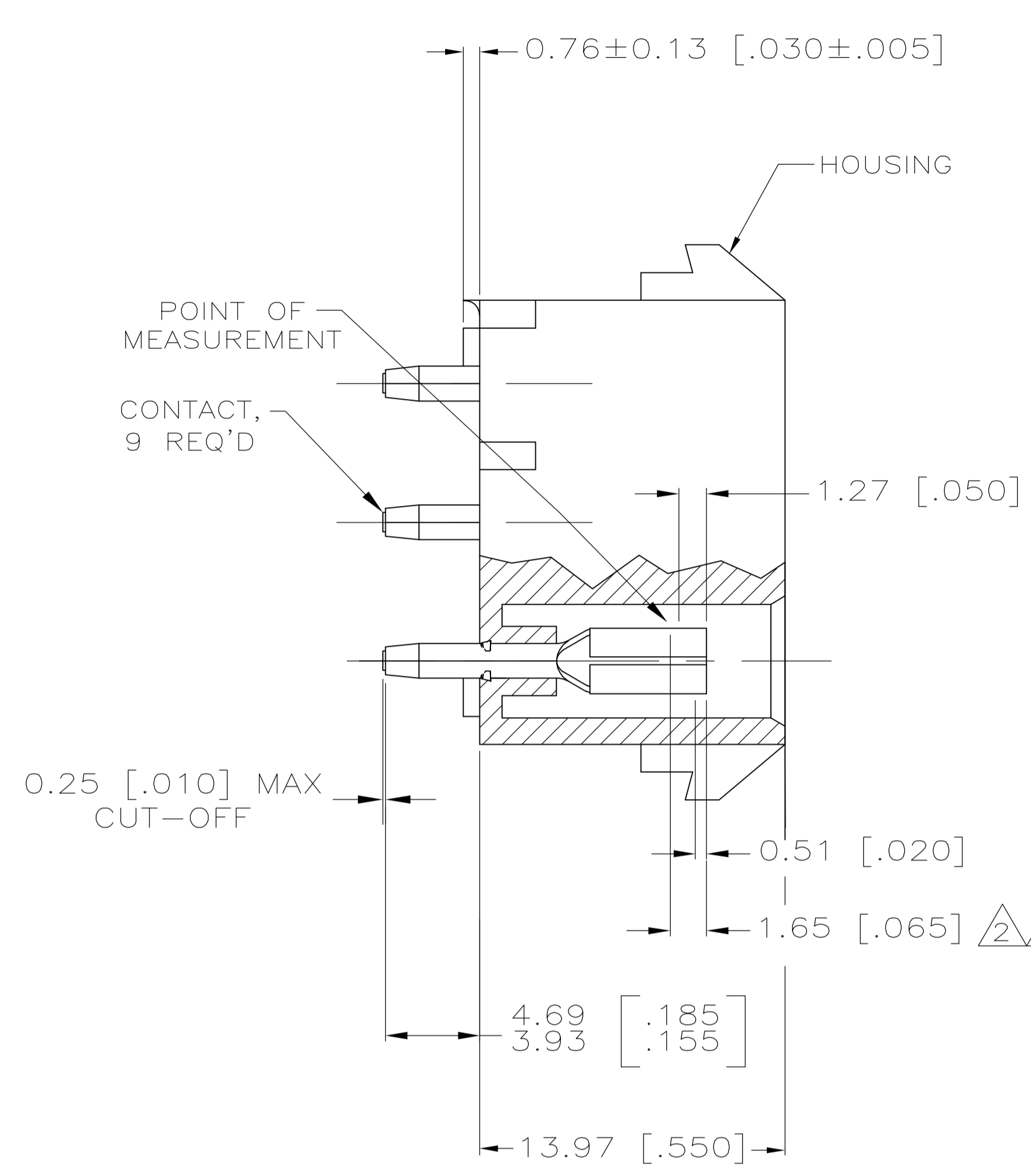
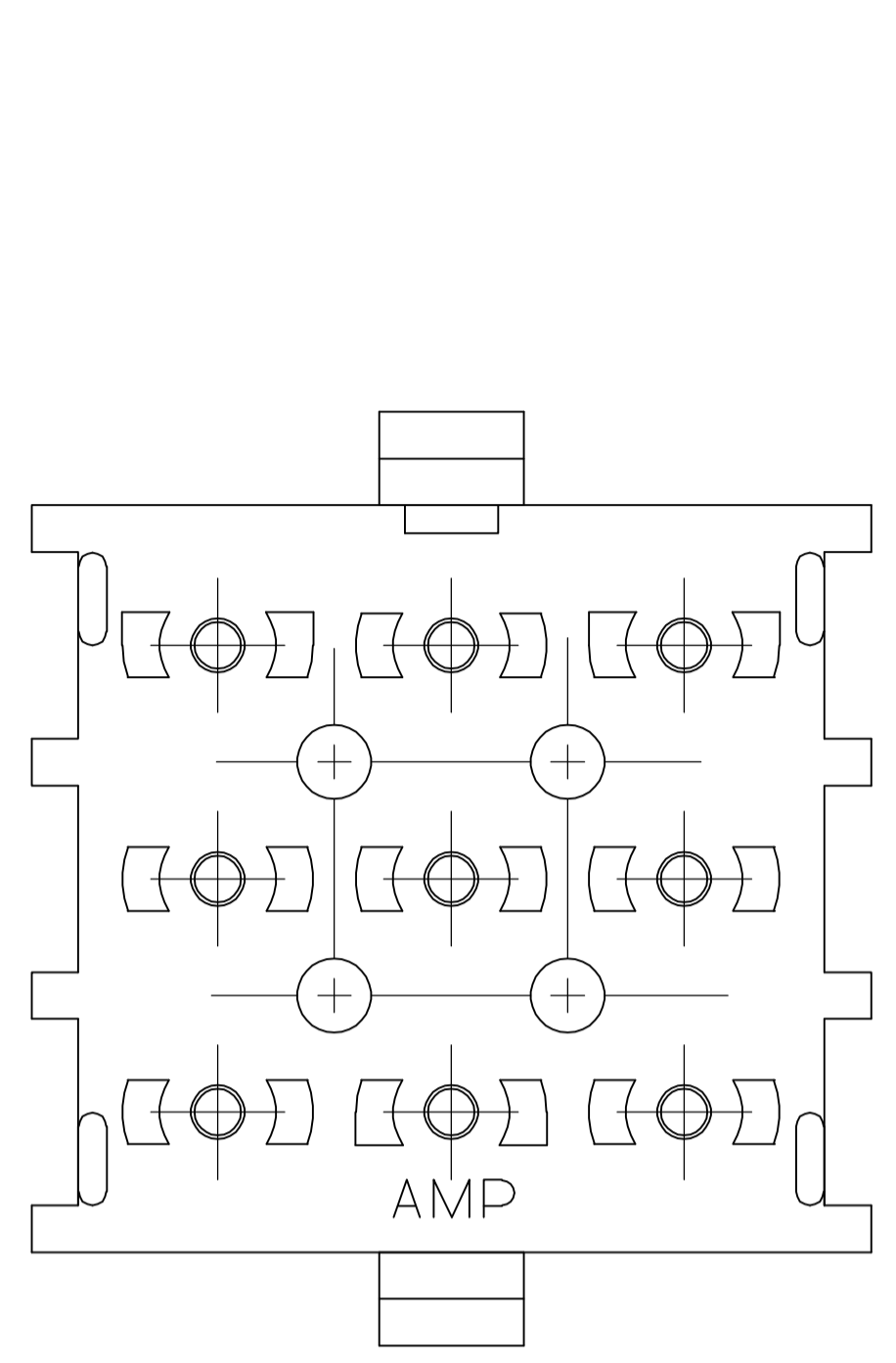
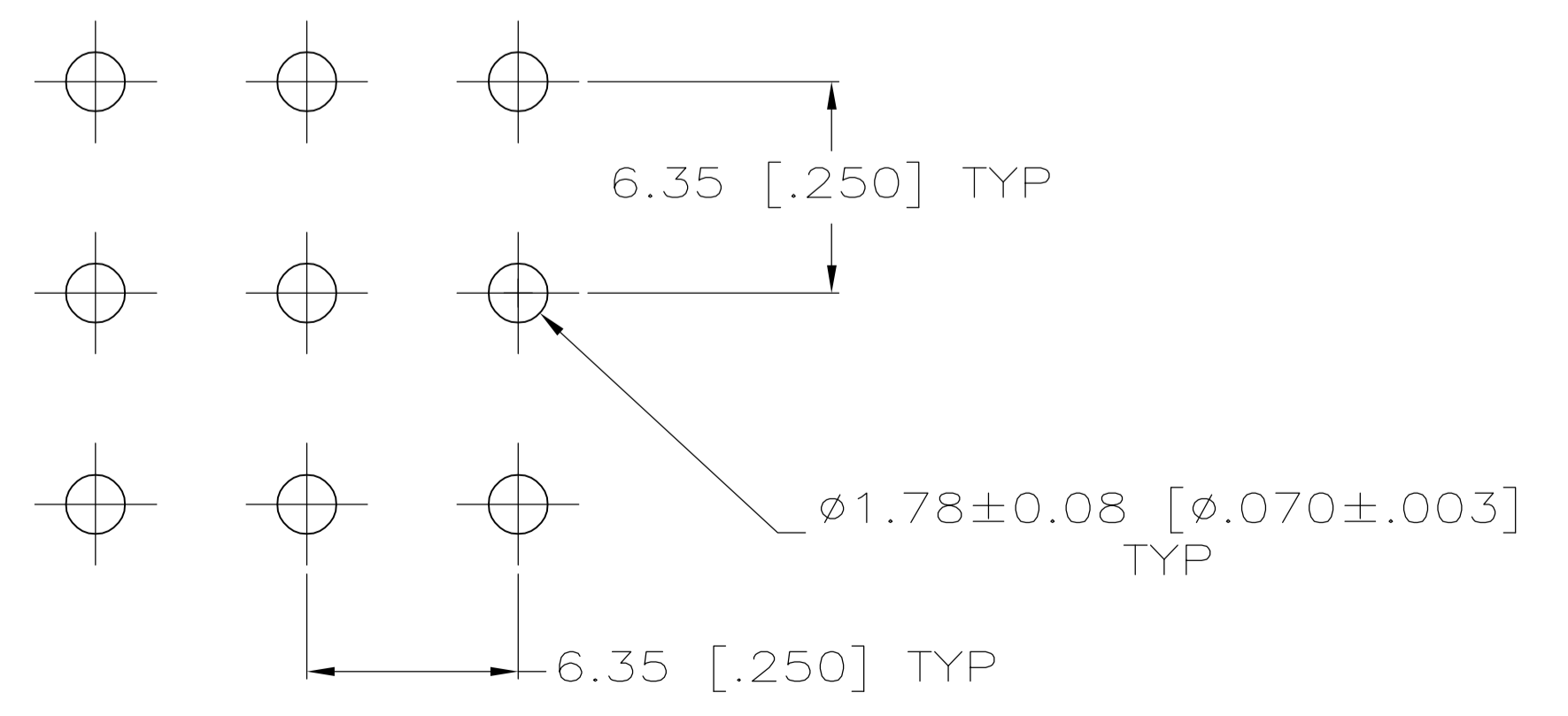


LOC		DIST		REVISIONS			
P	LTR	DESCRIPTION	DATE	OWN	APVD		
P		REVISED PER DG38-1100-04	12OCT05	KW	SR		



- PARTS MUST COMPLY WITH AMP SOLDERABILITY SPEC 109-11-3.
- CONTACT IS STAMPED FROM PRE-PLATED STOCK WHICH IS PLATED OVERALL WITH 0.00127 [.000050] NICKEL, THEN STRIPED WITH 0.00076 [.000030] GOLD IN CONTACT AREA INDICATED AND TIN-LEAD ON SOLDER TAIL END.
- CIRCUIT IDENTIFICATION CHARACTERS ARE ADJACENT TO THE INDICATED CAVITIES, BUT LOCATION AND ORIENTATION MAY DIFFER FROM PRINT.
- CONTACT IS PLATED OVERALL WITH 0.00127 [.000050] NICKEL, THEN 0.00076 [.000030] GOLD OVER CONTACT LENGTH INDICATED AND MATTE TIN ON SOLDER TAIL END.



RECOMMENDED LAYOUT FOR 1.58 [.062] THICK PC BOARD

PH BRZ GOLD $\triangle 5$	NYLON,UL 94V-0	350828-4
PH BRZ GOLD $\triangle 2$	NYLON,UL 94V-0	350828-2
PH BRZ TIN	NYLON,UL 94V-0	350828-1
CONTACT	HOUSING	PART NO

THIS DRAWING IS A CONTROLLED DOCUMENT.		OWN K. WHITAKER	11OCT2005	tyco Electronics	Tyco Electronics Corporation Harrisburg, PA 17105-3608	
DIMENSIONS: mm (INCHES)		CHK S. RIDGILL	11OCT2005		APVD S. RIDGILL	NAME 9 CIRCUIT UNIVERSAL MATE-N-LOK (TM) P.C. BOARD SOCKET HEADER ASSEMBLY
TOLERANCES UNLESS OTHERWISE SPECIFIED:		PRODUCT SPEC		APPLICATION SPEC		RESTRICTED TO
0 PLC ±		1 PLC ±		2 PLC ±		SIZE
3 PLC ± 0.13 [.005]		4 PLC ±		ANGLES		SCALE
FINISH		SEE TABLE		WEIGHT		SHEET
MATERIAL		SEE TABLE		CUSTOMER DRAWING		1 OF 1
				A1 00779 ©=350828		REV P

METRIC